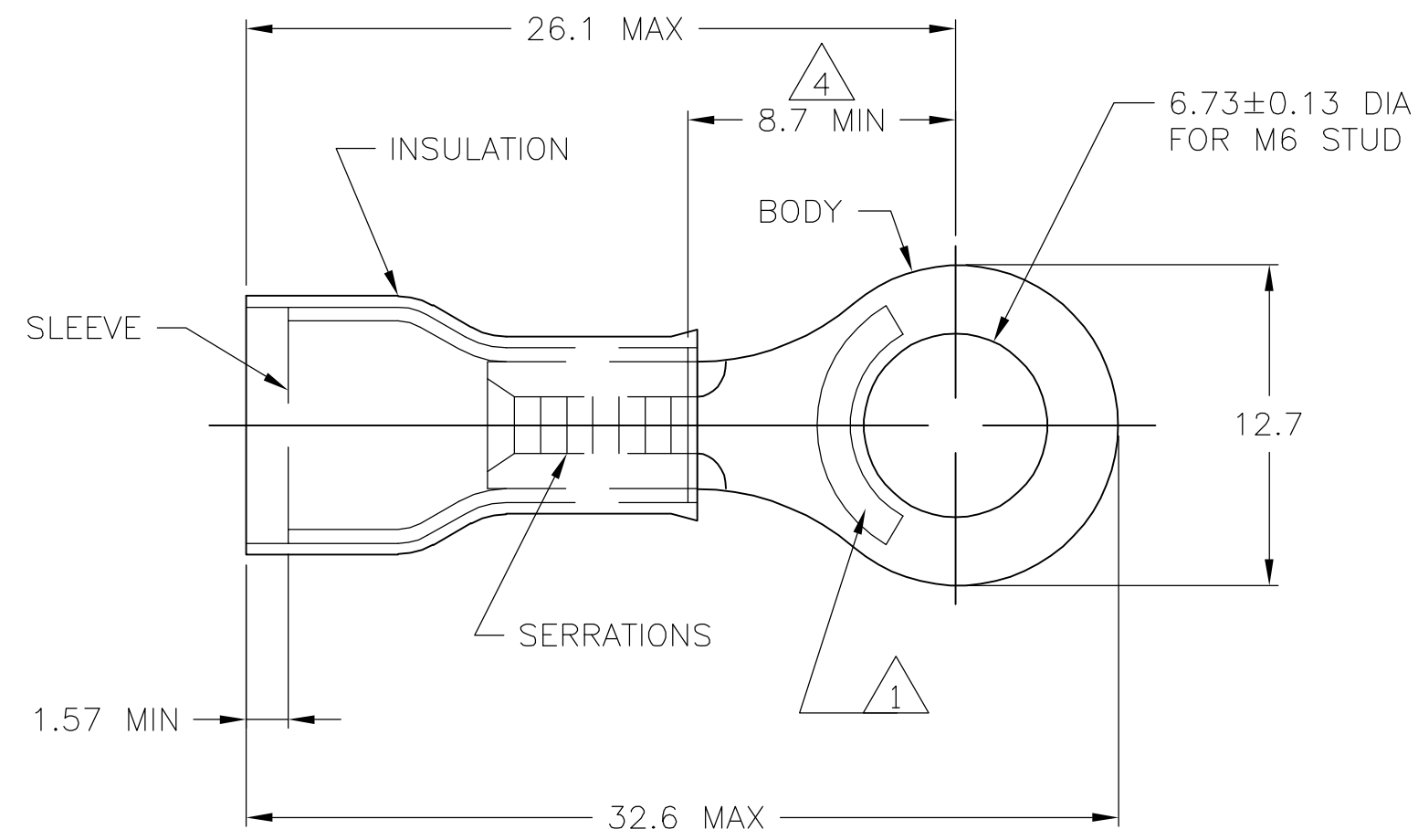


THIS DRAWING IS UNPUBLISHED. RELEASED FOR PUBLICATION
 © COPYRIGHT - BY TYCO ELECTRONICS CORPORATION. ALL RIGHTS RESERVED.

LOC	DIST	REVISIONS					
		P	LTR	DESCRIPTION	DATE	DWN	APVD
G	14		A1	REV PER ECR 05-018002	18DEC05	JR	TM

AMP
WIRE RANGE

16-14 AWG
SOLID OR STRANDED



- ① STAMP AMP 16-14 HD* APPROX AS SHOWN
- 2. WIRE INSULATION DIA, 4.32-7.62 [.170-.300]
- 3. TONGUE MATERIAL THK, 1.22±0.05 [.048±.002]
- ④ APPLIES FROM EDGE OF METAL WIRE BARREL TO CENTER OF STUD HOLE.
- ⑤ MATERIAL: BODY - COPPER PER ASTM B-152
SLEEVE - COPPER PER ASTM B-152
INSULATION - PVC
- ⑥ FINISH: BODY & SLEEVE- TIN PLATE PER ASTM B-545
INSULATION: - BLACK
- 7 RECOMMENDED MAX OPERATING TEMP, 105°C [221°F].
- 8 VOLTAGE RATING, 300V MAX
- 9 CIRCULAR MIL AREA:
1.04-2.62mm² [2050-5180]

500	LOOSE PIECE	131661
QTY	PACKAGE TYPE	PART NO

THIS DRAWING IS A CONTROLLED DOCUMENT.		DWN JR RUTH 08SEP05	Tyco Electronics Corporation Harrisburg, PA 17105-3608	
DIMENSIONS: mm		CHK T MICHIELUTTI 08SEP05		
TOLERANCES UNLESS OTHERWISE SPECIFIED:		APVD T MICHIELUTTI 08SEP05	NAME TERMINAL, RING TONGUE, PIDG. WIRE SIZE 16-14HD AWG	
0 PLC ± - 1 PLC ± - 2 PLC ± 0.2 3 PLC ± - 4 PLC ± - ANGLES ± - FINISH		PRODUCT SPEC UL 486A	RESTRICTED TO	
MATERIAL		APPLICATION SPEC	SIZE A3	CAGE CODE 00779
⑤		WEIGHT	DRAWING NO G-131661	REV A1
CUSTOMER DRAWING			SCALE 4:1	SHEET 1 of 1